



## POLICY

### **“The Installation of Mailboxes on Municipal Roads in the Town of Minto”**

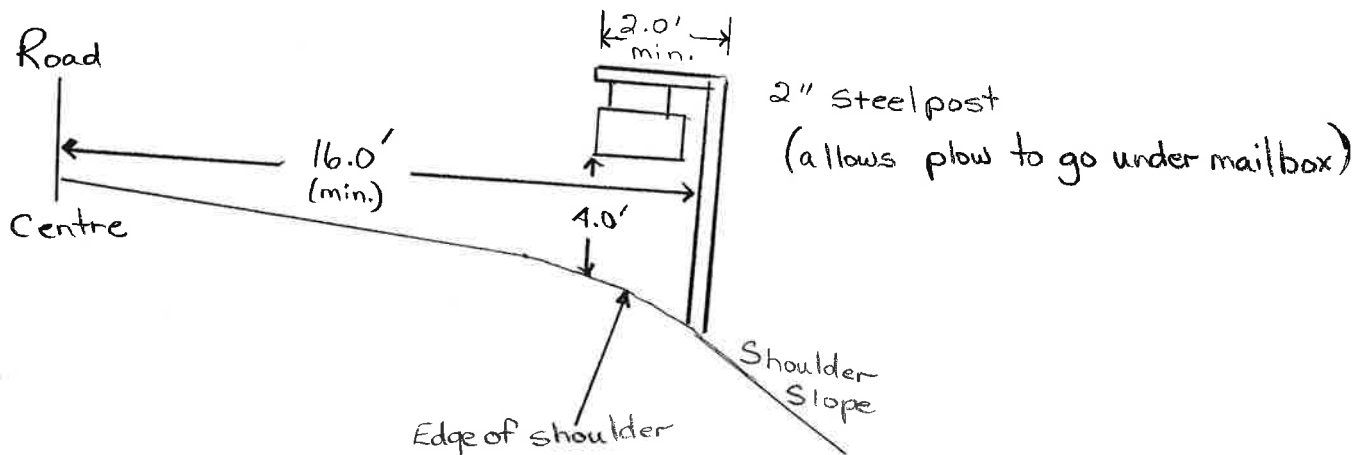
This policy will ensure that the Town of Minto Road Department will replace or repair any mailbox that has been physically damaged by snow removal equipment (not flying snow) provided that the mail box has been erected as shown on the sketch below. The sketch shows the proper construction as approved by Canada Post and the Town of Minto.

When reconstructing a road, the Town of Minto Road Department will remove all mailboxes on that road. Owners will be responsible for erecting them when the road construction is complete.

The Town of Minto accepts no responsibility for improperly erected mailboxes.

#### **SKETCH:**

This diagram illustrates the proper installation of a mailbox



Adopted by the Council of the Town of Minto  
January 18<sup>th</sup>, 2006.